

## MR- 2716 Rechargeable Li-Ion Military Battery

### Replacement or compatible with:

BT-6624,BT-6625,MR6240,MR624,TNC-624

### General description

- Rugged, military tough case construction
- High energy density
- One wire battery communication technology
- Smart circuit technology providing Remaining capacity and number of cycles (through charger terminals)
- State Of Charge Indicator-(SOCl)-(4 Leds on the Battery.
- Low energy consumption during storage (Can be stored for up to one year without any charging necessary)
- Easy integration into compact and light systems

### Safety features

- Cell charge over voltage protection
- Cell discharge under Voltage protection
- Over current and short circuit protection
- Over temperature protection
- Reverse Polarity
- Cell vents

### Charge method (CCCV)

Charge voltage: 12.6VDC max.

Recommended charge current: 2A max.



### Electrical

Capacity	5Ah @ 1A
Energy	55 Wh
Max. voltage	12.6V
Nom. voltage	11.1V
Min. voltage	8V
Max. Dis current (cont.)	3A
Cycle life 100% DOD	over 80% initial capacity after 300 cycles
Weight energy density	135Wh/kg
Volume energy density	220 Wh/L
Communication	one wire battery communication technology

### Mechanical

Weight(max.)	400 gr
Height(max.)	77.4 mm
Width(max.)	43.3 mm
Length(max.)	74.3 mm
Battery case	ABS Plastic
Color	black

Specifications mentioned in this publication are subject to change without notice

Epsilor-Electric Fuel Ltd. Rotem Industrial Park, M.P. Arava, 86899 Israel

Tel: 972-8-655-6280, Fax: 972-8-655-5960 info@epsilor.com

<http://www.epsilor.com>

## Compatible Chargers

MC-9001, MC6271.

## Standards

MIL-STD-810E

UN certification

MIL-STD461C

UL approved cells

## Quality

ISO 9001

## Material Safety Data Sheet

Available per request

## Disposal

Check with local regulations

## Applications

Military and civil portable radio communications

Remote control electronics

Surveillance equipment

Remote sensor devices

## Cell

Cell type	18650
-----------	-------

Construction	6 cells 3S x 2P
--------------	-----------------

## Enviromental

Charge	0 to 45 °C
--------	------------

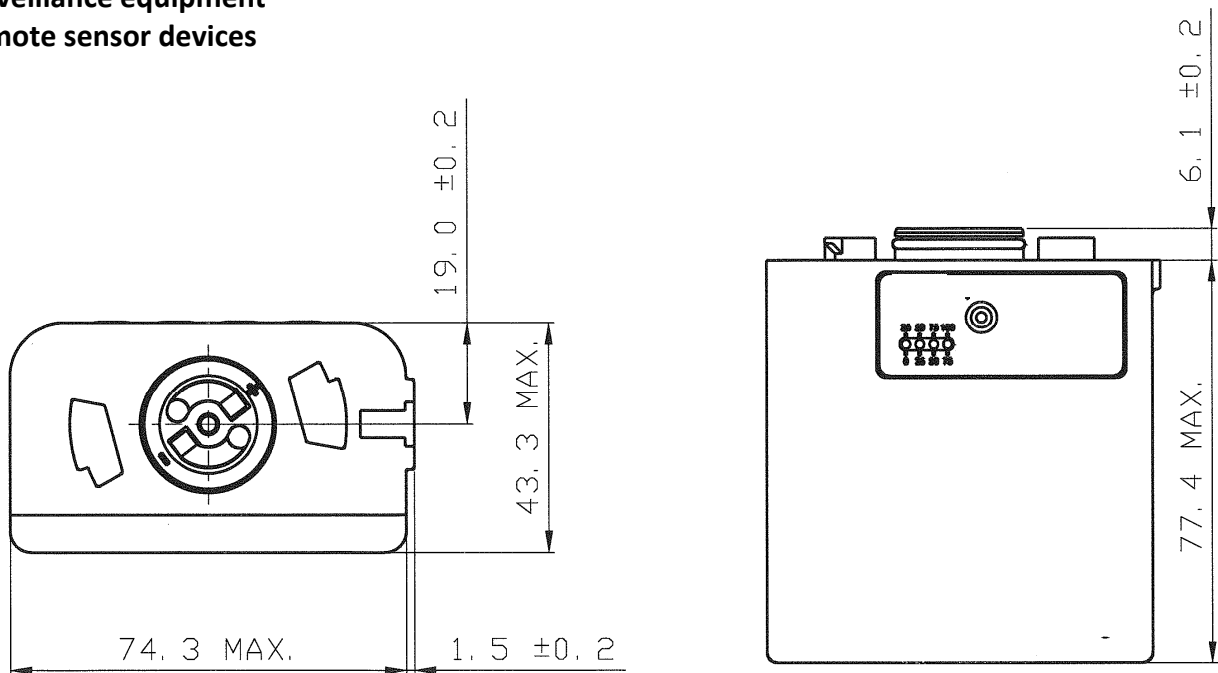
Discharge	-20 to 60 °C
-----------	--------------

Storage	-40 to 71 °C
---------	--------------

Humidity	0 to 90%
----------	----------

## Transportation

Transport status	Class 9
------------------	---------



Specifications mentioned in this publication are subject to change without notice

Epsilor-Electric Fuel Ltd. Rotem Industrial Park, M.P. Arava, 86899 Israel

Tel: 972-8-655-6280, Fax: 972-8-655-5960 info@epsilor.com

<http://www.epsilor.com>